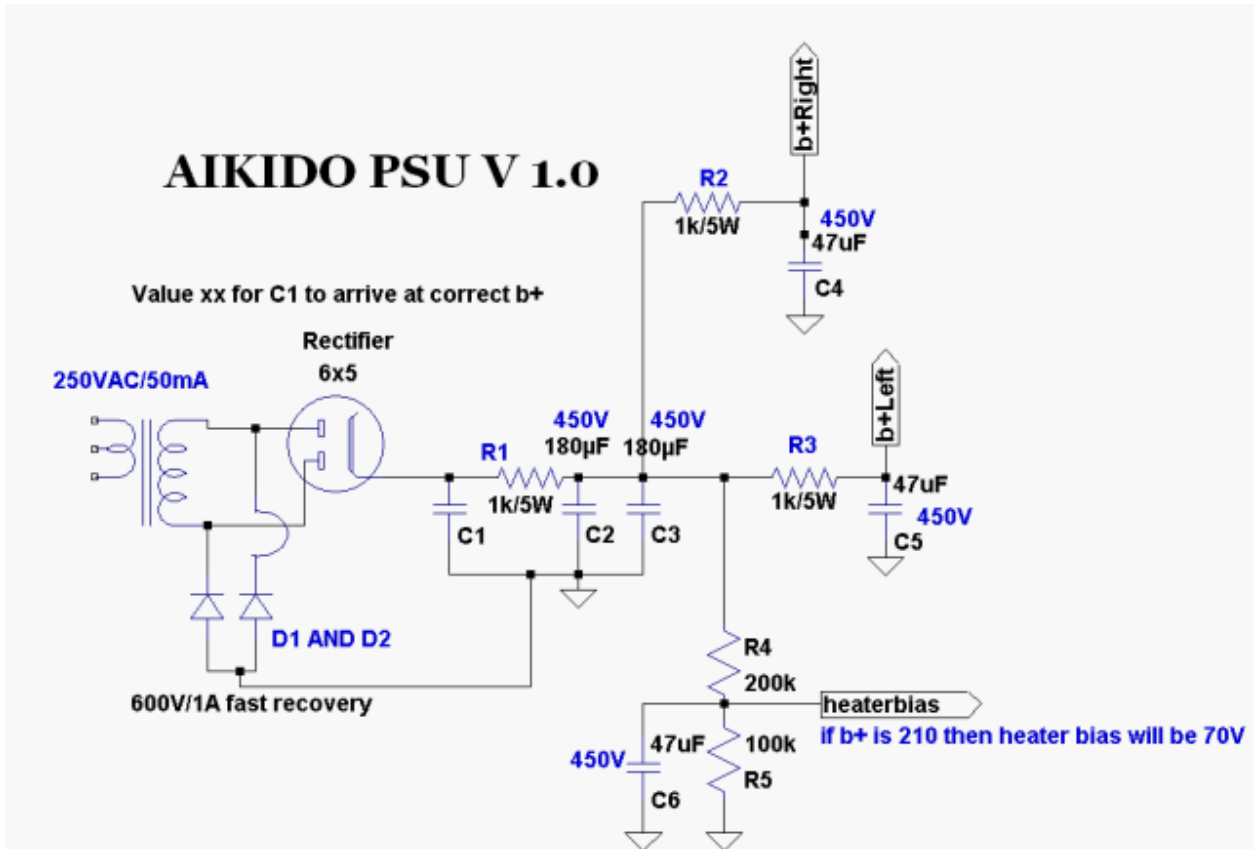


Power Supply for Aikido Tube Preamp.

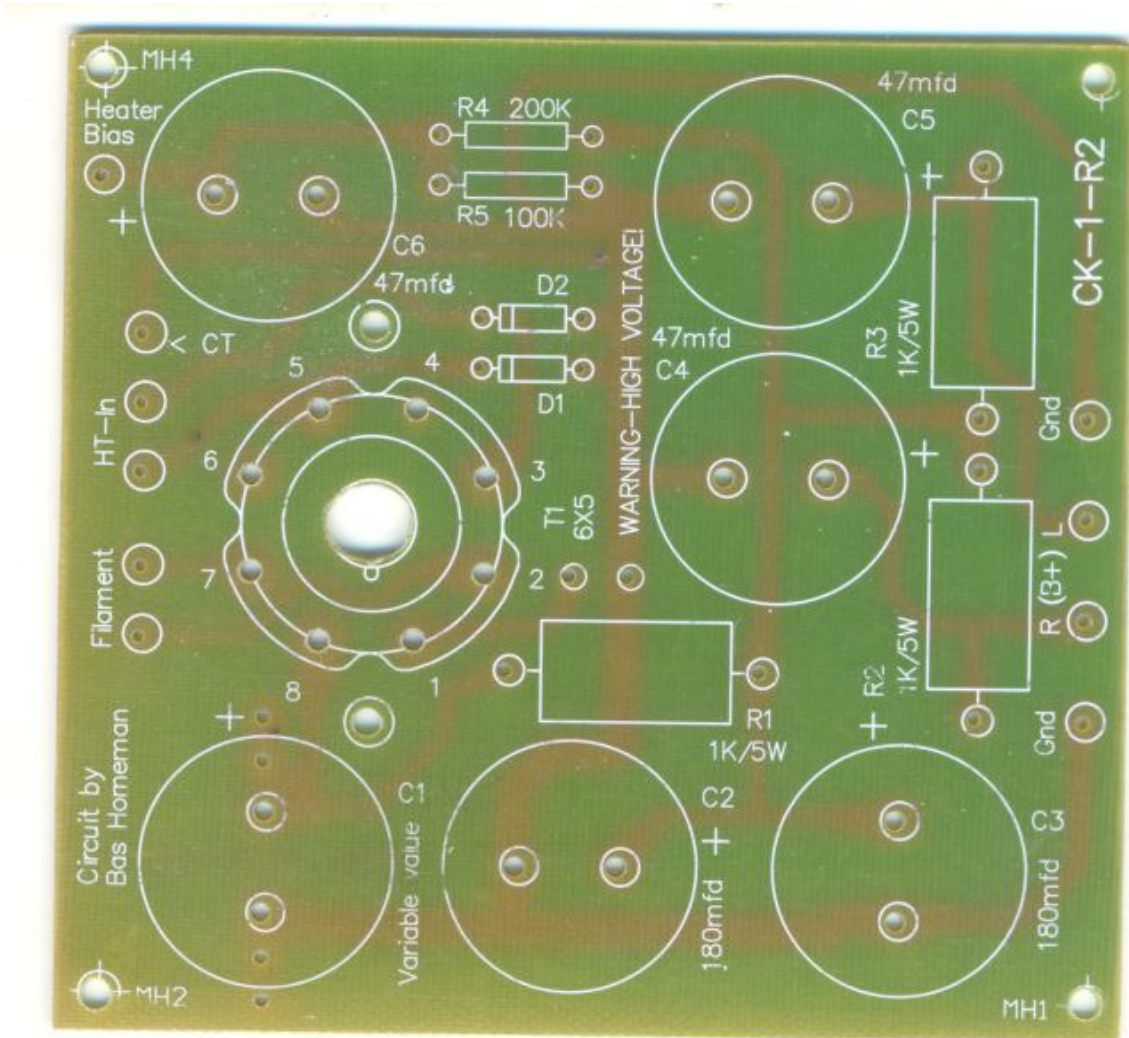
Schematic by Bas Horneman

<http://basenjes.de/tubes>



Cont. page 2.

The PCB -Revised layout CK-1-R2- Schematic same as above



Cont. page 3

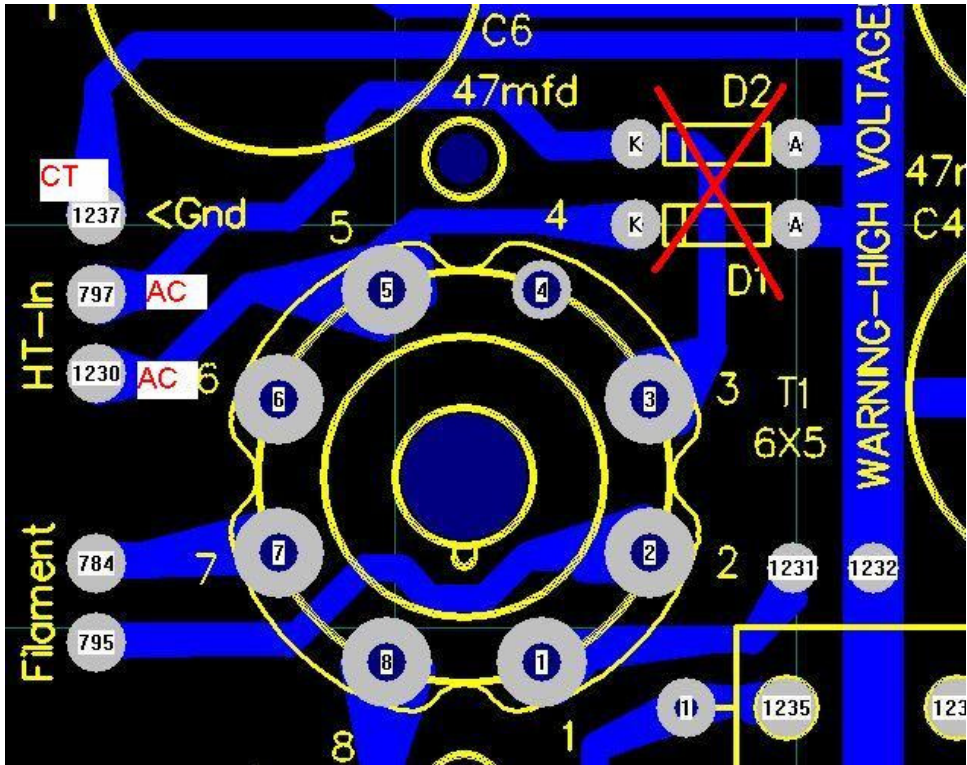
Connections with Center tapped Transformer. The specification of transformer for 300V B+ should be

Output 1 – 275 - 0- 275V, 50mA

Output 2 - 3.15 - 0-3.15, 2A

Output 3 - 3.15V-0-3.15V, 2A

Output 4 - 0-6.3V 1A- for 6X5 rectifier tube



Cont. page 4

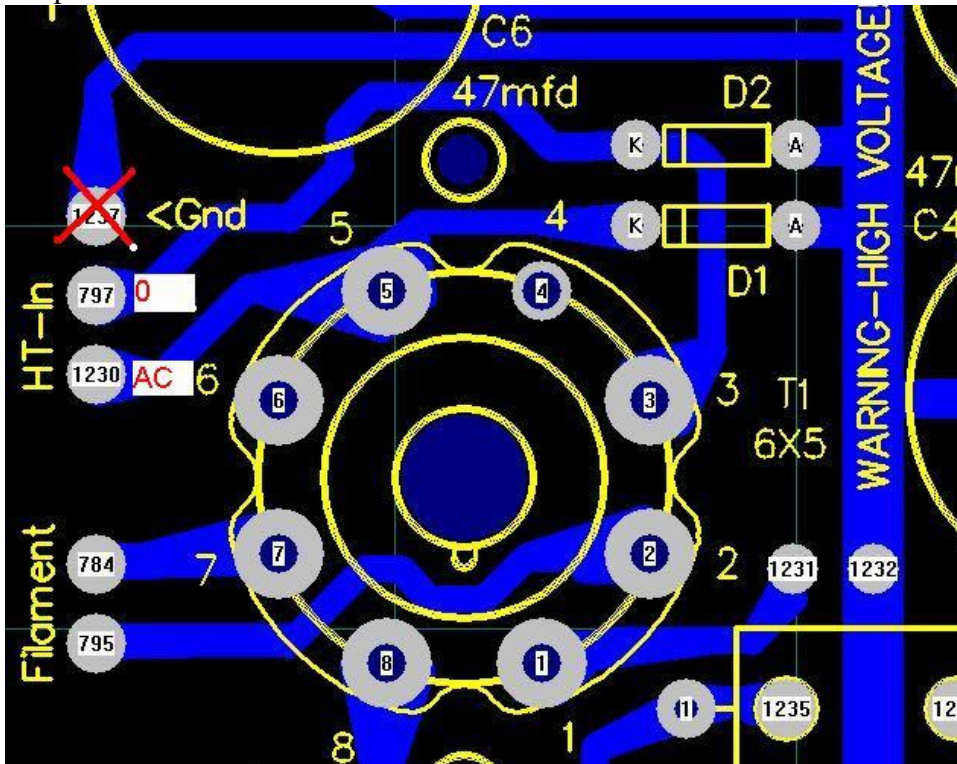
Connections without Center tap Transformer are shown below. The specification of transformer for 300V B+ should be

Output 1 - 0- 275V, 50mA

Output 2 - 3.15 - 0-3.15, 2A

Output 3 - 3.15V-0-3.15V, 2A

Output 4 - 0-6.3V 1A- for 6X5 rectifier tube



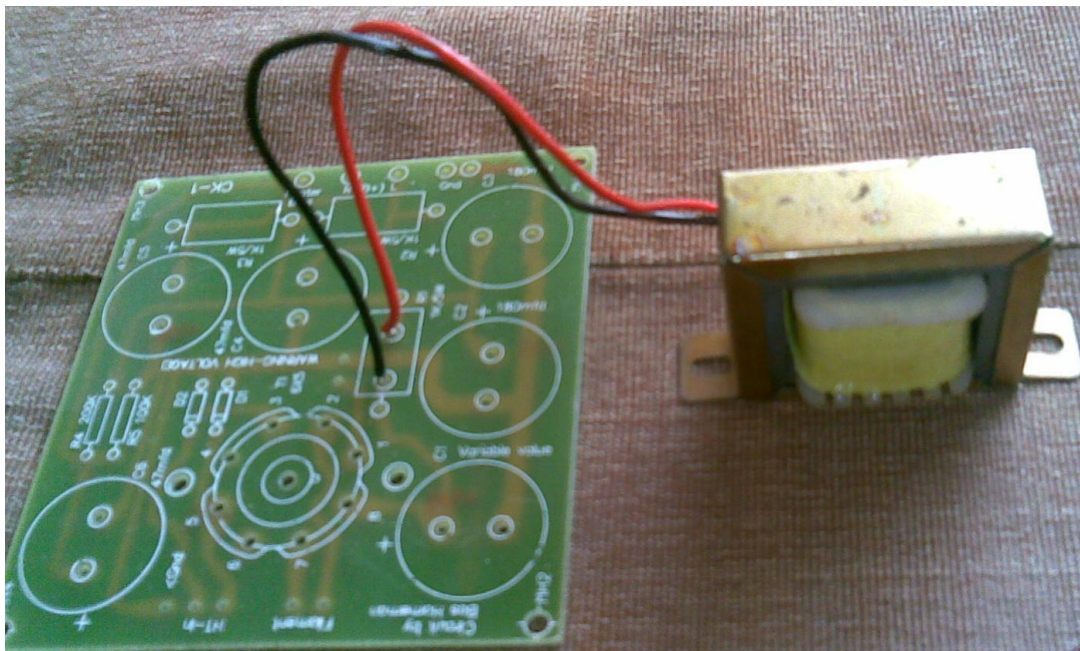
Cont. page 5

Parts List

http://basaudio.net/aikido_psu.htm

PART NAME	QTY	MANUF. PART NO.	PCB PART	DIGIKEY PART NO.
CAP 180UF 450V -Panasonic	2	ECO-S2WB181CA	C2/C3	P10161-ND
CAP 47UF 450V - Panasonic	3	ECO-S2WP470BA	C4/C5/C6	P7422-ND
RES 1.0K 1% 5W silicon - Vishey /Dale	3	RS0051K000FS73	R1/R2/R3	RSC-1.0KCT-ND
RES 100K 2W 5% MO - Yageo	1	RSF200JB-100K	R5	100KW-2-ND
RES 200K 2W 5% MO - Yageo	1	RSF200JB-200K	R4	200KW-2-ND
RECT. FST REC 600V1A Diodes Inc	2	1N4937-T	D1/D2	1N4937DICT-ND
Tube 6X4	1	AES	T1	
Tube Socket – Octal PCB mountable	1	CVD		
Transformer	1	Custom wound		
Choke in place of R1 -5H/50mA	1	Custom wound		
NKK Toggle Switches SPST - mouser	1		Mouser	504-HTB-22I-SP
Bussmann Fuse Holders 1/4x1-1/4" -panel mount	1		Moser	504-HTB-22I-SP

Using 5H, 50mA choke instead of R1.



Cont. page 6.

Picture of Previous Version PCB. In the new version as shown on page number 2 the bias connection has been moved to left side PCB near C6.

