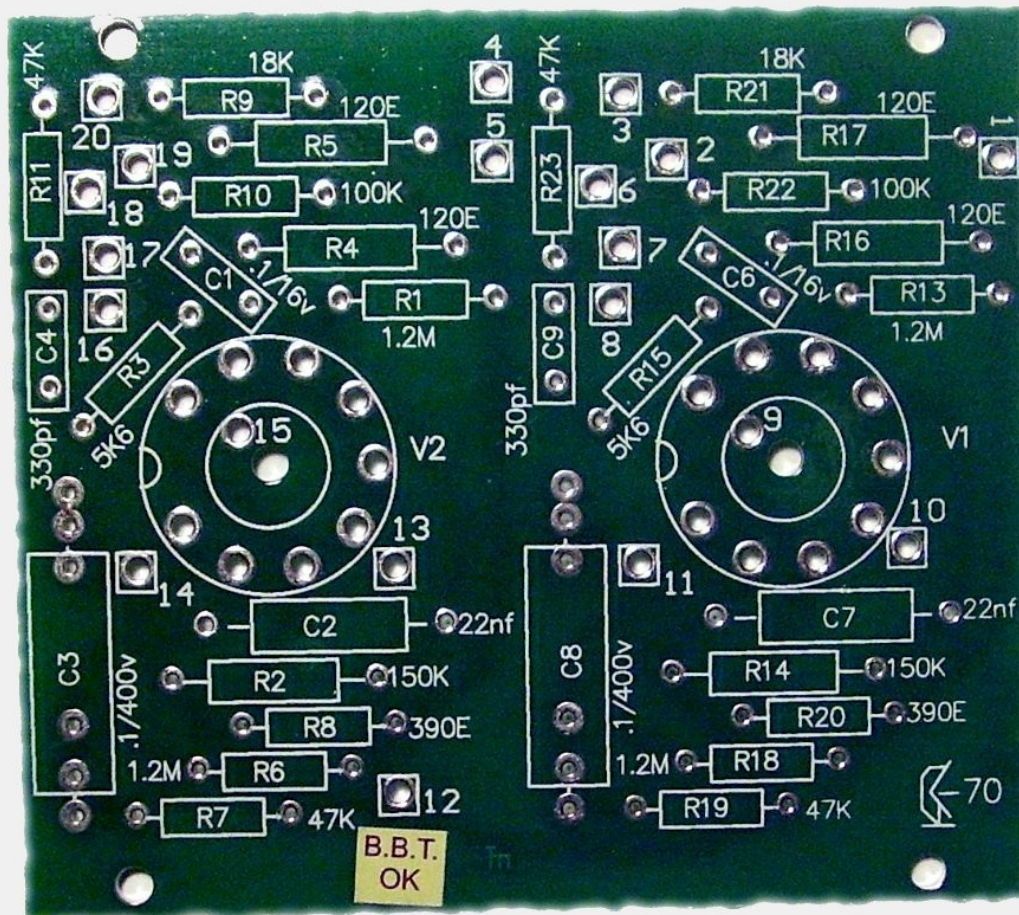


# Phono PCB

For The

## Dynaco® SCA-35

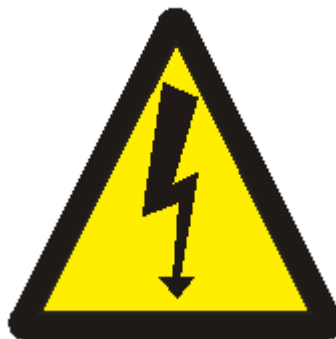


*Classic Valve Design*

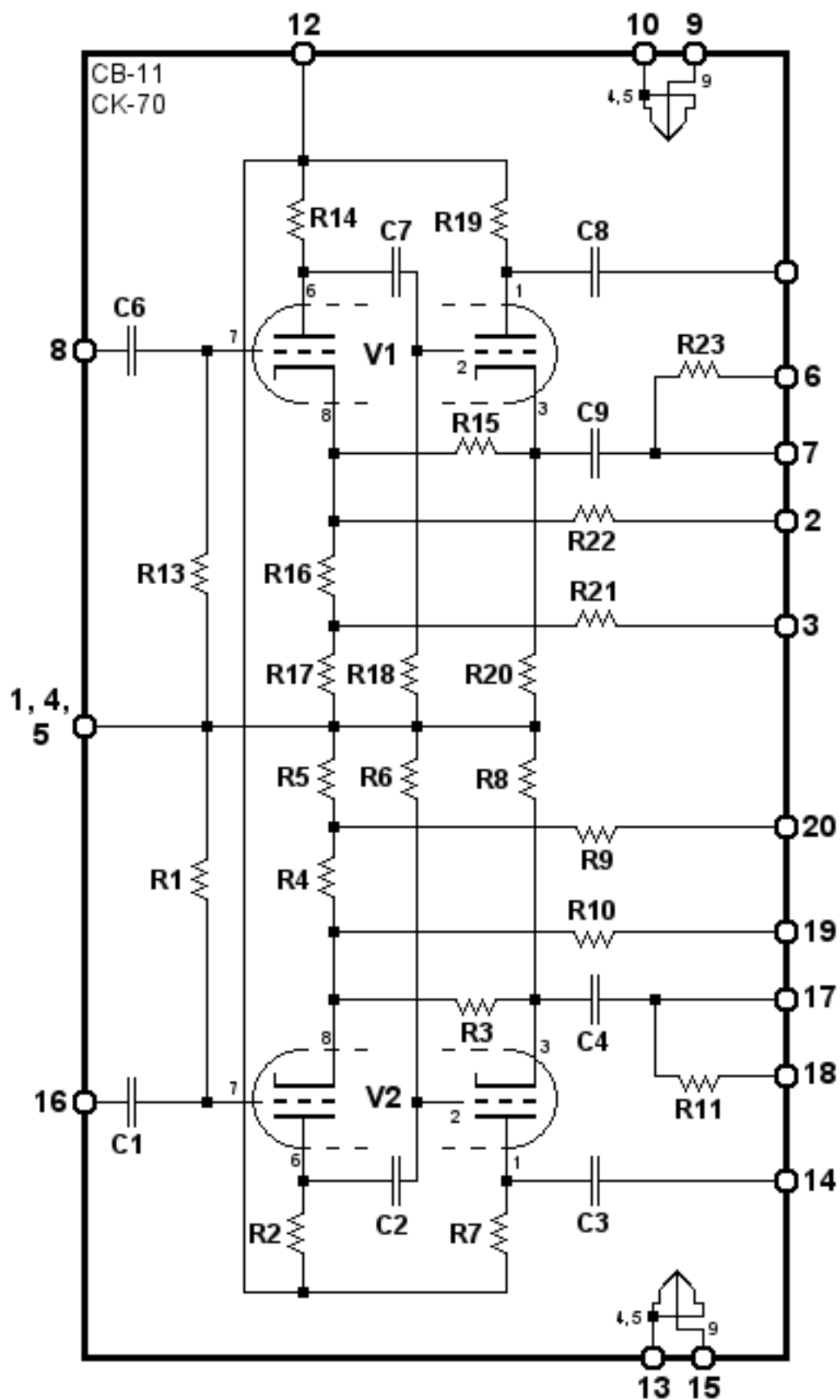


Classic Valve Design assumes no responsibility for circuit or user damage from the use or misuse of these boards or any other product. We simply provide these on an AS-IS basis with workmanship quality as the only thing guaranteed at this time.

This product is designed for and use around **LETHAL VOLTAGES**. We assume the user has a reasonably competent grasp of line operated electronics at the time of sale.



\* Dynaco is a registered trademark of Panor Corporation \*  
\* Board is © Classic Valve Design \*



## Parts List

### **Resistors:**

**R1, R6, R13, R18:** 1.2 Meg, ½ watt  
**R2, R14:** 150K, ½ watt  
**R3, R15:** 5.6K, ½ watt  
**R4, R5, R16, R17:** 120 ohms, ½ watt  
**R7, R11, R19, R23:** 47K, ½ watt  
**R8, R20:** 390 ohms, ½ watt  
**R9, R21:** 18K, ½ watt  
**R10, R22:** 100K, ½ watt

### **Capacitors:**

**C1, C6:** 100n, polypropylene film, 50V  
**C2, C7:** 22n, polypropylene film, 450V  
**C3, C8:** 100n, polypropylene film, 450V  
**C4, C9:** 330pF silver mica (500V) or polystyrene (400V)

(using capacitors with higher voltage ratings, OK)

Documentation written by Gregg van der Sluys, *Classic Valve Design*  
[www.CLASSICVALVE.ca](http://www.CLASSICVALVE.ca)

